



CSA C61869-9:20
Instrument transformers — Part 9: Digital interface for instrument transformers
(IEC 61869-9:2016, MOD)

CSA C61869-9:20
Transformateurs de mesure — Partie 9 : Interface numérique des transformateurs de mesure
(IEC 61869-9:2016, MOD)



Legal Notice for Standards

Canadian Standards Association (operating as “CSA Group”) develops standards through a consensus standards development process approved by the Standards Council of Canada. This process brings together volunteers representing varied viewpoints and interests to achieve consensus and develop a standard. Although CSA Group administers the process and establishes rules to promote fairness in achieving consensus, it does not independently test, evaluate, or verify the content of standards.

Disclaimer and exclusion of liability

This document is provided without any representations, warranties, or conditions of any kind, express or implied, including, without limitation, implied warranties or conditions concerning this document’s fitness for a particular purpose or use, its merchantability, or its non-infringement of any third party’s intellectual property rights. CSA Group does not warrant the accuracy, completeness, or currency of any of the information published in this document. CSA Group makes no representations or warranties regarding this document’s compliance with any applicable statute, rule, or regulation.

IN NO EVENT SHALL CSA GROUP, ITS VOLUNTEERS, MEMBERS, SUBSIDIARIES, OR AFFILIATED COMPANIES, OR THEIR EMPLOYEES, DIRECTORS, OR OFFICERS, BE LIABLE FOR ANY DIRECT, INDIRECT, OR INCIDENTAL DAMAGES, INJURY, LOSS, COSTS, OR EXPENSES, HOWSOEVER CAUSED, INCLUDING BUT NOT LIMITED TO SPECIAL OR CONSEQUENTIAL DAMAGES, LOST REVENUE, BUSINESS INTERRUPTION, LOST OR DAMAGED DATA, OR ANY OTHER COMMERCIAL OR ECONOMIC LOSS, WHETHER BASED IN CONTRACT, TORT (INCLUDING NEGLIGENCE), OR ANY OTHER THEORY OF LIABILITY, ARISING OUT OF OR RESULTING FROM ACCESS TO OR POSSESSION OR USE OF THIS DOCUMENT, EVEN IF CSA GROUP HAS BEEN ADVISED OF THE POSSIBILITY OF SUCH DAMAGES, INJURY, LOSS, COSTS, OR EXPENSES.

In publishing and making this document available, CSA Group is not undertaking to render professional or other services for or on behalf of any person or entity or to perform any duty owed by any person or entity to another person or entity. The information in this document is directed to those who have the appropriate degree of experience to use and apply its contents, and CSA Group accepts no responsibility whatsoever arising in any way from any and all use of or reliance on the information contained in this document.

CSA Group is a private not-for-profit company that publishes voluntary standards and related documents. CSA Group has no power, nor does it undertake, to enforce compliance with the contents of the standards or other documents it publishes.

Intellectual property rights and ownership

As between CSA Group and the users of this document (whether it be in printed or electronic form), CSA Group is the owner, or the authorized licensee, of all works contained herein that are protected by copyright, all trade-marks (except as otherwise noted to the contrary), and all inventions and trade secrets that may be contained in this document, whether or not such inventions and trade secrets are protected by patents and applications for patents. Without limitation, the unauthorized use, modification, copying, or disclosure of this document may violate laws that protect CSA Group’s and/or others’ intellectual property and may give rise to a right in CSA Group and/or others to seek legal redress for such use, modification, copying, or disclosure. To the extent permitted by licence or by law, CSA Group reserves all intellectual property rights in this document.

Patent rights

Attention is drawn to the possibility that some of the elements of this standard may be the subject of patent rights. CSA Group shall not be held responsible for identifying any or all such patent rights. Users of this standard are expressly advised that determination of the validity of any such patent rights is entirely their own responsibility.

Authorized use of this document

This document is being provided by CSA Group for informational and non-commercial use only. The user of this document is authorized to do only the following:

If this document is in electronic form:

- load this document onto a computer for the sole purpose of reviewing it;
- search and browse this document; and
- print this document if it is in PDF format.

Limited copies of this document in print or paper form may be distributed only to persons who are authorized by CSA Group to have such copies, and only if this Legal Notice appears on each such copy.

In addition, users may not and may not permit others to

- alter this document in any way or remove this Legal Notice from the attached standard;
- sell this document without authorization from CSA Group; or
- make an electronic copy of this document.

If you do not agree with any of the terms and conditions contained in this Legal Notice, you may not load or use this document or make any copies of the contents hereof, and if you do make such copies, you are required to destroy them immediately. Use of this document constitutes your acceptance of the terms and conditions of this Legal Notice.



Standards Update Service

CSA C61869-9:20

May 2020

Title: *Instrument transformers — Part 9: Digital interface for instrument transformers*

To register for e-mail notification about any updates to this publication

- go to store.csagroup.org
- click on **Product Updates**

The **List ID** that you will need to register for updates to this publication is **2427887**.

If you require assistance, please e-mail techsupport@csagroup.org or call 416-747-2233.

Visit CSA Group's policy on privacy at www.csagroup.org/legal to find out how we protect your personal information.

Canadian Standards Association (operating as “CSA Group”), under whose auspices this National Standard has been produced, was chartered in 1919 and accredited by the Standards Council of Canada to the National Standards system in 1973. It is a not-for-profit, nonstatutory, voluntary membership association engaged in standards development and certification activities.

CSA Group standards reflect a national consensus of producers and users — including manufacturers, consumers, retailers, unions and professional organizations, and governmental agencies. The standards are used widely by industry and commerce and often adopted by municipal, provincial, and federal governments in their regulations, particularly in the fields of health, safety, building and construction, and the environment.

Individuals, companies, and associations across Canada indicate their support for CSA Group’s standards development by volunteering their time and skills to Committee work and supporting CSA Group’s objectives through sustaining memberships. The more than 7000 committee volunteers and the 2000 sustaining memberships together form CSA Group’s total membership from which its Directors are chosen. Sustaining memberships represent a major source of income for CSA Group’s standards development activities.

CSA Group offers certification and testing services in support of and as an extension to its standards development activities. To ensure the integrity of its certification process, CSA Group regularly and continually audits and inspects products that bear the CSA Group Mark.

In addition to its head office and laboratory complex in Toronto, CSA Group has regional branch offices in major centres across Canada and inspection and testing agencies in eight countries. Since 1919, CSA Group has developed the necessary expertise to meet its corporate mission: CSA Group is an independent service organization whose mission is to provide an open and effective forum for activities facilitating the exchange of goods and services through the use of standards, certification and related services to meet national and international needs.

For further information on CSA Group services, write to
CSA Group
178 Rexdale Boulevard
Toronto, Ontario, M9W 1R3
Canada



A National Standard of Canada is a standard developed by a Standards Council of Canada (SCC) accredited Standards Development Organization, in compliance with requirements and guidance set out by SCC. More information on National Standards of Canada can be found at www.scc.ca.

SCC is a Crown corporation within the portfolio of Innovation, Science and Economic Development (ISED) Canada. With the goal of enhancing Canada's economic competitiveness and social well-being, SCC leads and facilitates the development and use of national and international standards. SCC also coordinates Canadian participation in standards development, and identifies strategies to advance Canadian standardization efforts.

Accreditation services are provided by SCC to various customers, including product certifiers, testing laboratories, and standards development organizations. A list of SCC programs and accredited bodies is publicly available at www.scc.ca.

Standards Council of Canada
600-55 Metcalfe Street
Ottawa, Ontario, K1P 6L5
Canada



Standards Council of Canada
Conseil canadien des normes

Cette Norme Nationale du Canada est disponible en versions française et anglaise.

Although the intended primary application of this Standard is stated in its Scope, it is important to note that it remains the responsibility of the users to judge its suitability for their particular purpose.

®A trademark of the Canadian Standards Association, operating as “CSA Group”

National Standard of Canada

CSA C61869-9:20

Instrument transformers — Part 9: Digital interface for instrument transformers (IEC 61869-9:2016, MOD)

*Prepared by
International Electrotechnical Commission*



Reviewed by



*®A trademark of the Canadian Standards Association,
operating as "CSA Group"*



*Published in May 2020 by CSA Group
A not-for-profit private sector organization
178 Rexdale Boulevard, Toronto, Ontario, Canada M9W 1R3*

*To purchase standards and related publications, visit our Online Store at store.csagroup.org
or call toll-free 1-800-463-6727 or 416-747-4044.*

*ICS 17.220.20
ISBN 978-1-4883-2759-9*

*© 2020 Canadian Standards Association
All rights reserved. No part of this publication may be reproduced in any form whatsoever
without the prior permission of the publisher.*

CSA C61869-9:20

Instrument transformers — Part 9: Digital interface for instrument transformers (IEC 61869-9:2016, MOD)

CSA Preface

This is the first edition of CSA C61869-9, *Instrument transformers — Part 9: Digital interface for instrument transformers*, which is an adoption, with Canadian deviations, of the identically titled IEC (International Electrotechnical Commission) Standard 61869-9 (first edition, 2016-04). It replaces relevant parts of CAN/CSA-C60044-8:07 (adopted IEC 60044-8:2002), *Instrument transformers — Part 8: Electronic current transformers*. It is part of the CSA C61869 series of Standards on instrument transformers, which consists of adoptions with Canadian deviations of the IEC 61869 series of Standards.

For brevity, this Standard will be referred to as “CSA C61869-9” throughout.

This Standard is intended to be used in conjunction with CAN/CSA-C61869-1:14, *Instrument transformers — Part 1: General requirements* (adopted IEC 61869-1:2007, with Canadian deviations); and CSA C61869-6:20, *Instrument transformers — Part 6: Additional general requirements for low-power instrument transformers* (adopted IEC 61869-6:2016, with Canadian deviations).

Requirements common to all instrument transformer types are grouped in CAN/CSA-C61869-1. Requirements specific to conventional instrument transformer types are grouped in CAN/CSA-C61869-2, CAN/CSA-C61869-3, CAN/CSA-C61869-4, and CAN/CSA-C61869-5. Those CSA Group Standards present many inherited Canadian deviations justified by the specific conditions, practices, and regulations in Canada.

Requirements common to low-power instrument transformers (LPIT) used for ac applications having rated frequencies from 15 Hz to 100 Hz covering MV, HV, and EHV or used for dc applications are grouped in CSA C61869-6.

The remaining Standards in the series state requirements for specific types of instrument transformers.

The LPIT has low-power analog output or digital output. The requirements for the digital interface associated with LPIT are grouped in CSA C61869-9.

Canada has actively participated in the development of IEC 61869-9, in order to enforce specific Canadian conditions. It should be noted that Parts 6 to 13 of the IEC 61869 series specify the requirements for ac LPIT as well as the interfaces necessary to implement the LPIT into an integrated system for protection and measurement. Such a system uses a universal digital transmission protocol compatible with IEC 61850, and has a digital output. In order to ensure full interoperability, Canadian deviations in CSA C61869-9 are minimal.

This Standard was reviewed for Canadian adoption by the CSA Technical Committee on Instrument Transformers, under the jurisdiction of the CSA Strategic Steering Committee on Power Engineering and Electromagnetic Compatibility, and has been formally approved by the Technical Committee.

This Standard has been developed in compliance with Standards Council of Canada requirements for National Standards of Canada. It has been published as a National Standard of Canada by CSA Group.

© 2020 Canadian Standards Association

All rights reserved. No part of this publication may be reproduced in any form whatsoever without the prior permission of the publisher. IEC material is reprinted with permission. Where the words “this International Standard” appear in the text, they should be interpreted as “this National Standard of Canada”.

*Inquiries regarding this National Standard of Canada should be addressed to
CSA Group*

*178 Rexdale Boulevard, Toronto, Ontario, Canada M9W 1R3
1-800-463-6727 • 416-747-4000*

www.csagroup.org

To purchase standards and related publications, visit our Online Store at store.csagroup.org or call toll-free 1-800-463-6727 or 416-747-4044.

This Standard is subject to review within five years from the date of publication, and suggestions for its improvement will be referred to the appropriate committee. The technical content of IEC and ISO publications is kept under constant review by IEC and ISO. To submit a proposal for change, please send the following information to inquiries@csagroup.org and include “Proposal for change” in the subject line:

- a) Standard designation (number);*
- b) relevant clause, table, and/or figure number;*
- c) wording of the proposed change; and*
- d) rationale for the change.*

Canadian deviations

The following deviations are intended to meet local product requirements and to align with electromagnetic compatibility requirements of relevant Canadian regulators.

International Standard IEC 61869-9:2016 (first edition) forms the basis for CSA C61869-9, which contains the following deviations in addition to those shown in CAN/CSA-C61869-1:14 and CSA C61869-6:20.

[Replace all references to “IEC 61869-1” with “CAN/CSA-C61869-1”]

[Replace all references to “IEC 61869-6” with “CSA C61869-6”]

1 Scope

[Add the following note]

Note 1A: *Measurement Canada and other local authorities should be contacted and consulted in regard to the applicable specifications and requirements for revenue metering.*

2 Normative references

[Add the following]

In this Standard, any reference to International Standards shall be replaced by the relevant National Standard of Canada.

Where reference is made to CSA Group publications, such reference shall be considered to refer to the latest edition and all amendments published to that edition. This Standard refers to the following publications, and the years shown indicate the latest editions available at the time of printing:

CSA Group

CAN/CSA-C61869-1:14 (R2019)

Instrument transformers — Part 1: General requirements

CAN/CSA-C61869-2:14 (R2019)

Instrument transformers — Part 2: Additional requirements for current transformers

CAN/CSA-C61869-3:14 (R2019)

Instrument transformers — Part 3: Additional requirements for inductive voltage transformers

CAN/CSA-C61869-4:14 (R2019)

Instrument transformers — Part 4: Additional requirements for combined transformers

CAN/CSA-C61869-5:15 (R2019)

Instrument transformers — Part 5: Additional requirements for capacitor voltage transformers

CSA C61869-6:20

Instrument transformers — Part 6: Additional general requirements for low-power instrument transformers

6 Design and construction

Table 902 — Standard sample rates

[Add the following notes]

Note 1A: *In Canada, the preferred standard sample rates are those given in Rows 2, 3, and 6 of this Table.*

Note 2A: *It is preferred that the ASDU parameter be user-defined, which will facilitate a smoother migration from an IEC 61850-9-2LE based system to an IEC 61869-9 based system.*

Note 3A: *The IEC 61850-9-2LE backwards compatible rate for quality metering applications is F15360S8I4U4, which is deprecated from IEC 61869-9 and not widely deployed in Canada; therefore, it is not required.*

INTERNATIONAL STANDARD

NORME INTERNATIONALE



**Instrument transformers –
Part 9: Digital interface for instrument transformers**

**Transformateurs de mesure –
Partie 9: Interface numérique des transformateurs de mesure**



THIS PUBLICATION IS COPYRIGHT PROTECTED
Copyright © 2016 IEC, Geneva, Switzerland

All rights reserved. Unless otherwise specified, no part of this publication may be reproduced or utilized in any form or by any means, electronic or mechanical, including photocopying and microfilm, without permission in writing from either IEC or IEC's member National Committee in the country of the requester. If you have any questions about IEC copyright or have an enquiry about obtaining additional rights to this publication, please contact the address below or your local IEC member National Committee for further information.

Droits de reproduction réservés. Sauf indication contraire, aucune partie de cette publication ne peut être reproduite ni utilisée sous quelque forme que ce soit et par aucun procédé, électronique ou mécanique, y compris la photocopie et les microfilms, sans l'accord écrit de l'IEC ou du Comité national de l'IEC du pays du demandeur. Si vous avez des questions sur le copyright de l'IEC ou si vous désirez obtenir des droits supplémentaires sur cette publication, utilisez les coordonnées ci-après ou contactez le Comité national de l'IEC de votre pays de résidence.

IEC Central Office
3, rue de Varembe
CH-1211 Geneva 20
Switzerland

Tel.: +41 22 919 02 11
Fax: +41 22 919 03 00
info@iec.ch
www.iec.ch

About the IEC

The International Electrotechnical Commission (IEC) is the leading global organization that prepares and publishes International Standards for all electrical, electronic and related technologies.

About IEC publications

The technical content of IEC publications is kept under constant review by the IEC. Please make sure that you have the latest edition, a corrigenda or an amendment might have been published.

IEC Catalogue - webstore.iec.ch/catalogue

The stand-alone application for consulting the entire bibliographical information on IEC International Standards, Technical Specifications, Technical Reports and other documents. Available for PC, Mac OS, Android Tablets and iPad.

IEC publications search - www.iec.ch/searchpub

The advanced search enables to find IEC publications by a variety of criteria (reference number, text, technical committee,...). It also gives information on projects, replaced and withdrawn publications.

IEC Just Published - webstore.iec.ch/justpublished

Stay up to date on all new IEC publications. Just Published details all new publications released. Available online and also once a month by email.

Electropedia - www.electropedia.org

The world's leading online dictionary of electronic and electrical terms containing 20 000 terms and definitions in English and French, with equivalent terms in 16 additional languages. Also known as the International Electrotechnical Vocabulary (IEV) online.

IEC Glossary - std.iec.ch/glossary

65 000 electrotechnical terminology entries in English and French extracted from the Terms and Definitions clause of IEC publications issued since 2002. Some entries have been collected from earlier publications of IEC TC 37, 77, 86 and CISPR.

IEC Customer Service Centre - webstore.iec.ch/csc

If you wish to give us your feedback on this publication or need further assistance, please contact the Customer Service Centre: csc@iec.ch.

A propos de l'IEC

La Commission Electrotechnique Internationale (IEC) est la première organisation mondiale qui élabore et publie des Normes internationales pour tout ce qui a trait à l'électricité, à l'électronique et aux technologies apparentées.

A propos des publications IEC

Le contenu technique des publications IEC est constamment revu. Veuillez vous assurer que vous possédez l'édition la plus récente, un corrigendum ou amendement peut avoir été publié.

Catalogue IEC - webstore.iec.ch/catalogue

Application autonome pour consulter tous les renseignements bibliographiques sur les Normes internationales, Spécifications techniques, Rapports techniques et autres documents de l'IEC. Disponible pour PC, Mac OS, tablettes Android et iPad.

Recherche de publications IEC - www.iec.ch/searchpub

La recherche avancée permet de trouver des publications IEC en utilisant différents critères (numéro de référence, texte, comité d'études,...). Elle donne aussi des informations sur les projets et les publications remplacées ou retirées.

IEC Just Published - webstore.iec.ch/justpublished

Restez informé sur les nouvelles publications IEC. Just Published détaille les nouvelles publications parues. Disponible en ligne et aussi une fois par mois par email.

Electropedia - www.electropedia.org

Le premier dictionnaire en ligne de termes électroniques et électriques. Il contient 20 000 termes et définitions en anglais et en français, ainsi que les termes équivalents dans 16 langues additionnelles. Egalement appelé Vocabulaire Electrotechnique International (IEV) en ligne.

Glossaire IEC - std.iec.ch/glossary

65 000 entrées terminologiques électrotechniques, en anglais et en français, extraites des articles Termes et Définitions des publications IEC parues depuis 2002. Plus certaines entrées antérieures extraites des publications des CE 37, 77, 86 et CISPR de l'IEC.

Service Clients - webstore.iec.ch/csc

Si vous désirez nous donner des commentaires sur cette publication ou si vous avez des questions contactez-nous: csc@iec.ch.

INTERNATIONAL STANDARD

NORME INTERNATIONALE



**Instrument transformers –
Part 9: Digital interface for instrument transformers**

**Transformateurs de mesure –
Partie 9: Interface numérique des transformateurs de mesure**

INTERNATIONAL
ELECTROTECHNICAL
COMMISSION

COMMISSION
ELECTROTECHNIQUE
INTERNATIONALE

ICS 17.220.20

**Warning! Make sure that you obtained this publication from an authorized distributor.
Attention! Veuillez vous assurer que vous avez obtenu cette publication via un distributeur agréé.**

CONTENTS

FOREWORD.....	4
INTRODUCTION.....	7
1 Scope.....	12
2 Normative references	12
3 Terms and definitions	13
3.5 Terms and definitions related to other ratings.....	13
3.7 Index of abbreviations	13
4 Normal and special service conditions	14
5 Ratings.....	14
5.6 Rated accuracy class.....	14
5.901 Performance requirements.....	15
6 Design and construction	16
6.901 Technological boundaries	16
6.901.1 Interface point.....	16
6.901.2 Digital output interface	16
6.901.3 Human-machine interface	16
6.902 Electrical requirements	17
6.902.1 Frequency response requirements	17
6.902.2 Maximum processing delay time requirement.....	17
6.903 Specification of the communications profile	19
6.903.1 General.....	19
6.903.2 Variants	19
6.903.3 Digital output sample rates.....	20
6.903.4 Logical devices	21
6.903.5 Logical nodes LPHD	21
6.903.6 Logical nodes LLN0	21
6.903.7 Logical nodes TCTR	21
6.903.8 Logical nodes TVTR.....	24
6.903.9 Quality	25
6.903.10 Dataset(s).....	26
6.903.11 Multicast sampled value control block(s).....	27
6.903.12 Configuration of the merging unit	27
6.903.13 Rated conformance classes	28
6.904 Synchronization	34
6.904.1 General.....	34
6.904.2 Precision time protocol synchronization	34
6.904.3 1PPS synchronization	35
6.904.4 Sample value message SmpSynch attribute.....	35
6.904.5 Holdover mode.....	36
6.904.6 Free-running mode.....	37
6.904.7 Time adjustments.....	37
7 Tests	38
7.2 Type tests.....	38
7.2.6 Test for accuracy	38
7.2.901 Digital output conformance tests	38
7.2.902 Maximum processing delay time test.....	38

7.2.903	Loss of synchronization tests	39
7.2.904	1PPS test.....	39
Annex 9A (informative)	Dynamic range considerations.....	40
Annex 9B (informative)	Time synchronization and management example.....	43
Annex 9C (informative)	Example merging unit ICD file	45
Annex 9D (informative)	Test circuits for accuracy measurement	56
Annex 9E (informative)	Electronic nameplate.....	59
Bibliography.....		60
Figure 901 –	General block diagram of an electronic LPIT with digital output	8
Figure 902 –	General illustration of the objects within a merging unit (example).....	9
Figure 903 –	Electronic LPIT with digital output (concept example).....	10
Figure 904 –	Standalone merging unit.....	11
Figure 905 –	Duplex LC connector	16
Figure 906 –	Maximum processing delay time.....	17
Figure 907 –	Output message timestamp point	19
Figure 908 –	TCTR naming example	23
Figure 909 –	1PPS signal waveform at the merging unit clock input.....	35
Figure 910 –	Time adjustment example (6 ASDU example).....	37
Figure 9A.1 –	Nomogram for current	41
Figure 9A.2 –	Nomogram for voltage.....	42
Figure 9B.1 –	Sampled value signal processing example showing 2ASDUs per message (F4800S2I4U4 example)	43
Figure 9D.1 –	Example test circuit	56
Figure 9D.2 –	Example test circuit	58
Table 901 –	Maximum processing delay time limits	18
Table 902 –	Standard sample rates.....	20
Table 903 –	Extensions to the LPHD class.....	21
Table 904 –	AmpSv object attribute values	23
Table 905 –	Extensions to the TCTR class.....	24
Table 906 –	VoISv object attribute values	25
Table 907 –	Extensions to the TVTR class.....	25
Table 908 –	Configuration parameters of the merging unit	28
Table 909 –	Basic conformance statement.....	29
Table 910 –	ACSI models conformance statement	29
Table 911 –	ACSI service conformance statement	31
Table 912 –	PICS for A-Profile support	33
Table 913 –	PICS for T-Profile support	34

INTERNATIONAL ELECTROTECHNICAL COMMISSION

INSTRUMENT TRANSFORMERS –

Part 9: Digital interface for instrument transformers

FOREWORD

- 1) The International Electrotechnical Commission (IEC) is a worldwide organization for standardization comprising all national electrotechnical committees (IEC National Committees). The object of IEC is to promote international co-operation on all questions concerning standardization in the electrical and electronic fields. To this end and in addition to other activities, IEC publishes International Standards, Technical Specifications, Technical Reports, Publicly Available Specifications (PAS) and Guides (hereafter referred to as “IEC Publication(s)”). Their preparation is entrusted to technical committees; any IEC National Committee interested in the subject dealt with may participate in this preparatory work. International, governmental and non-governmental organizations liaising with the IEC also participate in this preparation. IEC collaborates closely with the International Organization for Standardization (ISO) in accordance with conditions determined by agreement between the two organizations.
- 2) The formal decisions or agreements of IEC on technical matters express, as nearly as possible, an international consensus of opinion on the relevant subjects since each technical committee has representation from all interested IEC National Committees.
- 3) IEC Publications have the form of recommendations for international use and are accepted by IEC National Committees in that sense. While all reasonable efforts are made to ensure that the technical content of IEC Publications is accurate, IEC cannot be held responsible for the way in which they are used or for any misinterpretation by any end user.
- 4) In order to promote international uniformity, IEC National Committees undertake to apply IEC Publications transparently to the maximum extent possible in their national and regional publications. Any divergence between any IEC Publication and the corresponding national or regional publication shall be clearly indicated in the latter.
- 5) IEC itself does not provide any attestation of conformity. Independent certification bodies provide conformity assessment services and, in some areas, access to IEC marks of conformity. IEC is not responsible for any services carried out by independent certification bodies.
- 6) All users should ensure that they have the latest edition of this publication.
- 7) No liability shall attach to IEC or its directors, employees, servants or agents including individual experts and members of its technical committees and IEC National Committees for any personal injury, property damage or other damage of any nature whatsoever, whether direct or indirect, or for costs (including legal fees) and expenses arising out of the publication, use of, or reliance upon, this IEC Publication or any other IEC Publications.
- 8) Attention is drawn to the Normative references cited in this publication. Use of the referenced publications is indispensable for the correct application of this publication.
- 9) Attention is drawn to the possibility that some of the elements of this IEC Publication may be the subject of patent rights. IEC shall not be held responsible for identifying any or all such patent rights.

International Standard IEC 61869-9 has been prepared by IEC technical committee 38: Instrument transformers.

This first edition replaces the corresponding specific requirements previously contained in IEC 60044-8, published in 2002.

This bilingual version (2017-09) corresponds to the English version, published in 2016-04.

The text of this standard is based on the following documents:

FDIS	Report on voting
38/502/FDIS	38/508/RVD

Full information on the voting for the approval of this standard can be found in the report on voting indicated in the above table.

The French version of this standard has not been voted upon.

This publication has been drafted in accordance with the ISO/IEC Directives, Part 2.

A list of all parts in the IEC 61869 series, published under the general title *Instrument transformers*, can be found on the IEC website.

This publication contains an attached file in the form of a .xml file. This file is intended to be used as a complement and does not form an integral part of the publication.

This International Standard contains specific requirements for electronic low power instrument transformers (LPIT) having a digital output.

This Part 9 is to be read in conjunction with, and is based on, IEC 61869-1:2007, *General requirements* and IEC 61869-6:2016. However, the reader is encouraged to use its most recent edition.

This Part 9 follows the structure of IEC 61869-6 and IEC 61869-1 and supplements or modifies their corresponding clauses/subclauses.

When a particular clause/subclause of Part 6 is not mentioned in this Part 9, that clause/subclause applies. When this standard states “addition”, “modification” or “replacement”, the relevant text in Part 6 is to be adapted accordingly.

When a particular clause/subclause of Part 1 is not mentioned in Part 6, that clause/subclause applies. When Part 6 states “addition”, “modification” or “replacement”, the relevant text in Part 1 is to be adapted accordingly.

For additional clauses, subclauses, figures, tables, annexes or note, the following numbering system is used:

- clauses, subclauses, tables, figures and notes that are numbered starting from 901 are additional to those in Part 1;
- additional annexes are lettered 9A, 9B, etc.

An overview of the planned set of standards at the date of publication of this document is given below. The updated list of standards issued by IEC TC 38 is available at the website: www.iec.ch.

PRODUCT FAMILY STANDARDS	PRODUCT STANDARD IEC	PRODUCTS	OLD STANDARD IEC	
61869-1 GENERAL REQUIREMENTS FOR INSTRUMENT TRANSFORMERS	61869-2	ADDITIONAL REQUIREMENTS FOR CURRENT TRANSFORMERS	60044-1 60044-6	
	61869-3	ADDITIONAL REQUIREMENTS FOR INDUCTIVE VOLTAGE TRANSFORMERS	60044-2	
	61869-4	ADDITIONAL REQUIREMENTS FOR COMBINED TRANSFORMERS	60044-3	
	61869-5	ADDITIONAL REQUIREMENTS FOR CAPACITOR VOLTAGE TRANSFORMERS	60044-5	
	61869-6 ADDITIONAL GENERAL REQUIREMENTS FOR LOW POWER INSTRUMENT TRANSFORMERS	61869-7	ADDITIONAL REQUIREMENTS FOR ELECTRONIC VOLTAGE TRANSFORMERS	60044-7
		61869-8	ADDITIONAL REQUIREMENTS FOR ELECTRONIC CURRENT TRANSFORMERS	60044-8
		61869-9	DIGITAL INTERFACE FOR INSTRUMENT TRANSFORMERS	
		61869-10	ADDITIONAL REQUIREMENTS FOR LOW POWER PASSIVE CURRENT TRANSFORMERS	
		61869-11	ADDITIONAL REQUIREMENTS FOR LOW POWER PASSIVE VOLTAGE TRANSFORMERS	60044-7
		61869-12	ADDITIONAL REQUIREMENTS FOR COMBINED ELECTRONIC INSTRUMENT TRANSFORMERS AND COMBINED STAND ALONE INSTRUMENT TRANSFORMERS	
		61869-13	STAND ALONE MERGING UNIT	
		61869-14	ADDITIONAL REQUIREMENTS FOR DC CURRENT TRANSFORMERS	
		61869-15	ADDITIONAL REQUIREMENTS FOR DC VOLTAGE TRANSFORMERS FOR DC APPLICATIONS	

The committee has decided that the contents of this publication will remain unchanged until the stability date indicated on the IEC web site under "<http://webstore.iec.ch>" in the data related to the specific publication. At this date, the publication will be

- reconfirmed,
- withdrawn,
- replaced by a revised edition, or
- amended.

IMPORTANT – The 'colour inside' logo on the cover page of this publication indicates that it contains colours which are considered to be useful for the correct understanding of its contents. Users should therefore print this document using a colour printer.

INTRODUCTION

General

This standard is a product family standard for instrument transformers. It provides an application of the standard series IEC 61850, which details layered substation communication architecture in the world of instrument transformers.

By providing tutorial material such as examples and explanations, it also provides access for instrument transformer, protective relay and meter experts to concepts and methods applied in the IEC 61850 series.

Compared to instrument transformers, digital communication technology is subject to on-going changes which are expected to continue in the future. Significant experience with electronics integrated directly into instrument transformers has yet to be gathered on a broader basis, as this type of equipment is not widely spread in the industry and a change of paradigm has not yet occurred.

Position of this standard in relation to the IEC 61850 series

The IEC 61850 series is a standard intended to be used for communication networks and systems for power utility automation. The most important parts of this series define:

- a) information models for the substation automation system;
- b) these information models include both the models of the instrument transformers and other process equipment (like circuit-breakers and disconnectors), and the models of the substation automation system (like protection relays and meters). The models are defined in IEC 61850-7-3 and IEC 61850-7-4;
- c) the communication between intelligent electronic devices (IEDs) of the substation automation system. The abstract models are defined in IEC 61850-7-2 and the mappings on communication stacks are defined in IEC 61850-8-1 and IEC 61850-9-2;
- d) a configuration language used to describe the configuration aspects of the substation automation system is described in IEC 61850-6;
- e) conformance testing of the communication interfaces of the IEDs of the power utility automation system including their data models. The conformance testing is defined in IEC 61850-10.

Typically, in a traditional system, IEDs like bay level controllers or protection relays interface directly through analogue signals to instrument transformers. In that case, the data models of the instrument transformers are implemented in these bay level devices. However, this is not the only realization. In the case where electronics are integrated directly into electronic LPIT, the above-mentioned data models should be implemented within the instrument transformer and the instrument transformer needs to support a communication interface. The part of an electronic LPIT that does this is known as the merging unit.

IEC 61850, being a system oriented standard series, leaves many options open in order to support present and future requirements of all sizes of substations at all voltage levels.

To reduce the engineering amount required to achieve interoperability for the digital interface between instrument transformers and equipment that uses the digital signal (like protective relays, meters or bay level controllers), this standard specifies additional constraints on implementing a digital communication interface.

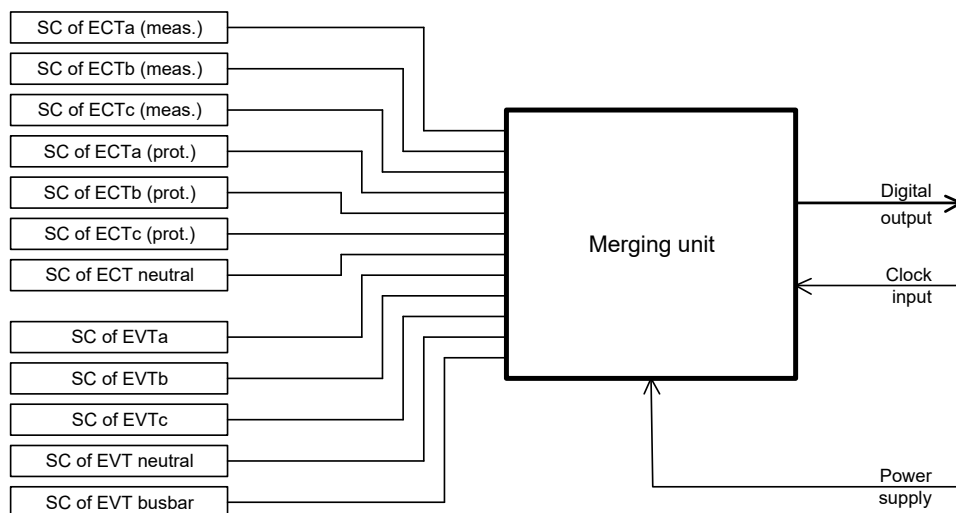
The IEC 61869-9 standard:

- replaces the IEC 60044-8 digital solution;

- provides a product standard for instrument transformers with a digital interface according to the IEC 61850 series; similar to what IEC 62271-3 offers for switchgear;
- includes backward compatibility for the UCA International Users Group *Implementation Guideline for Digital Interface to Instrument Transformers Using IEC 61850-9-2*;
- uses IEC 61588 based time synchronization in accordance with IEC/IEEE 61850-9-3, with an option for 1PPS (pulse per second).

Overview of the digital interface for instrument transformers

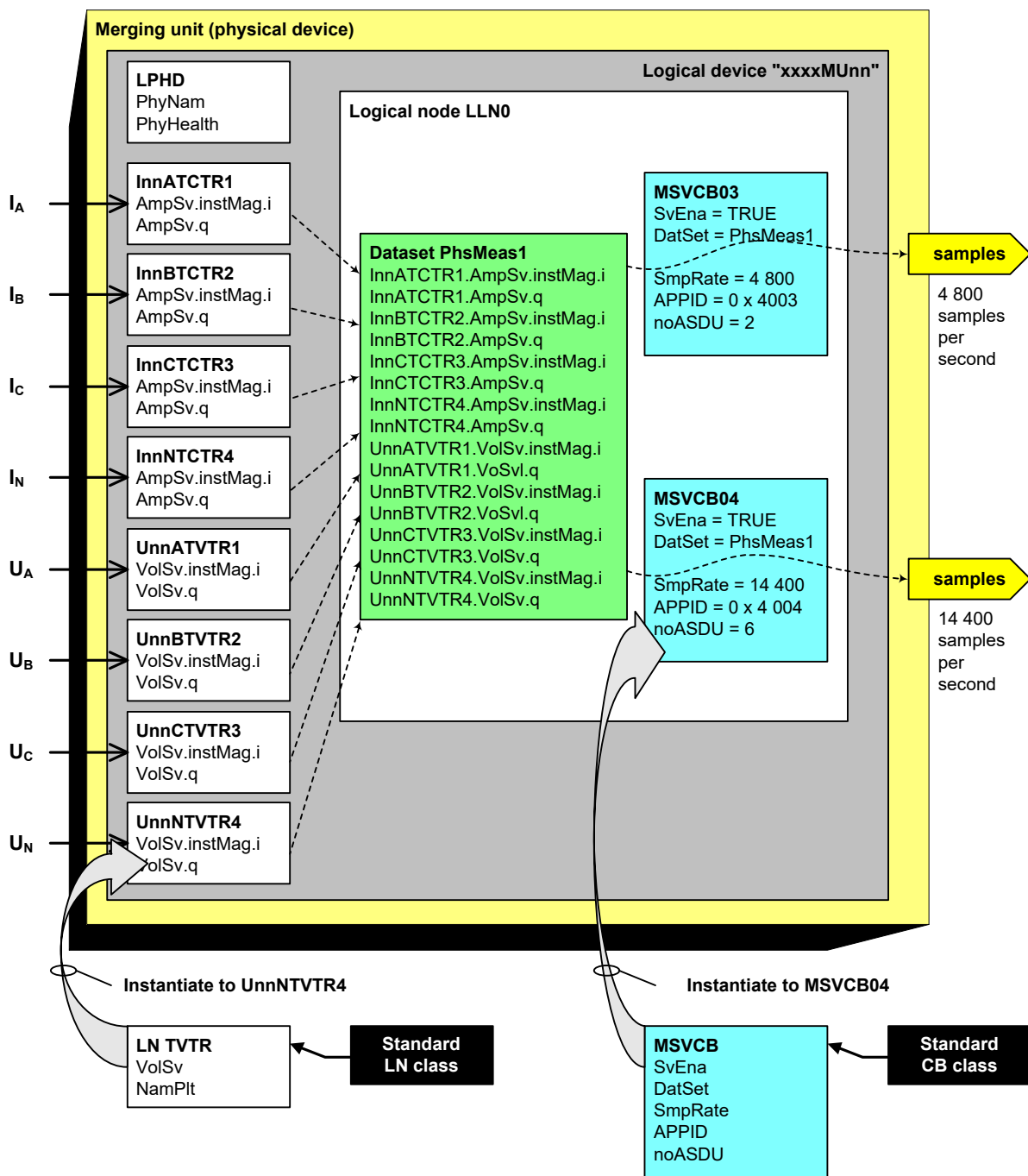
An illustrative general block diagram of an instrument transformer with digital output is shown in Figure 901. It shows multiple current and/or voltage information coming from the secondary converters (SC in Figure 901) and fed into a common block labelled “merging unit”. The merging unit performs all the data processing (sampling, analogue to digital conversion, scaling, message formatting, etc.) necessary to produce a time-coherent output data stream according to this standard. For the purposes of this standard a merging unit is a physical unit (hardware subsystem) used to assemble and transmit digital output data frames.



IEC

Figure 901 – General block diagram of an electronic LPIT with digital output

A merging unit is modelled as one or more logical devices that contain multiple logical nodes as illustrated in Figure 902.



IEC

Figure 902 – General illustration of the objects within a merging unit (example)

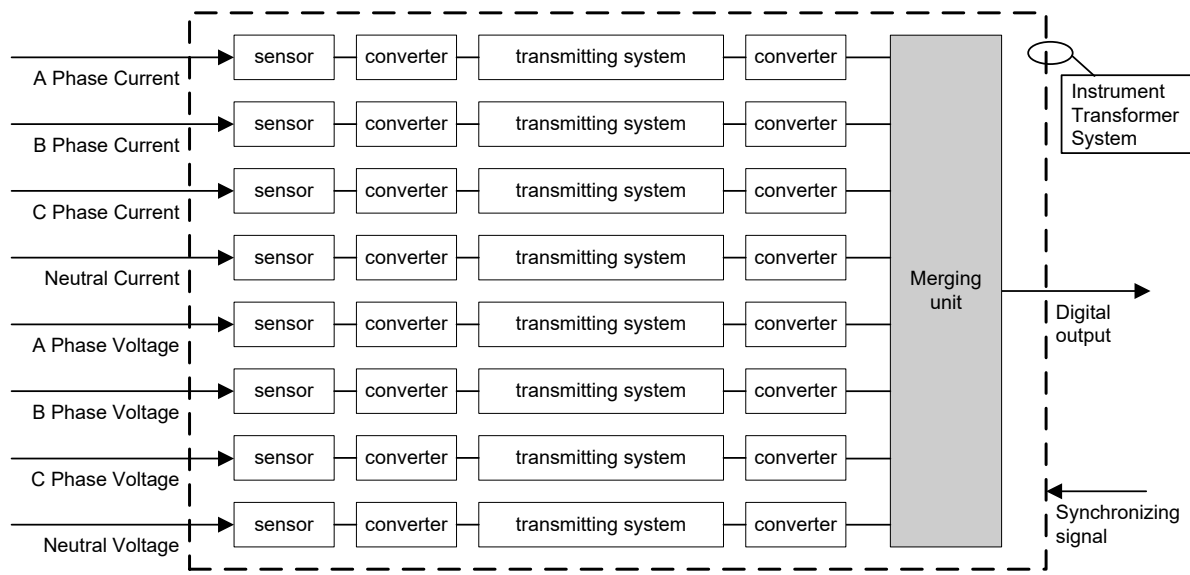
Current and voltage measurements in the example merging unit in Figure 902 are modelled per IEC 61850-7-1 by using the following logical nodes:

- Class **TCTR** per IEC 61850-7-4, instantiated individually for each of the three current transformer phases, and for the neutral current measurement.
- Class **TVTR** per IEC 61850-7-4, instantiated individually for each of the three voltage transformer phases, and for the neutral voltage measurement.
- Logical node zero **LLN0** containing instances of the sampled value control blocks (MSVCB03 and MSVCB04 in this example) controlling simultaneous publishing of IEC 61850-9-2 data streams (in this example one with 4 800 samples per second and 2 samples per frame yielding a frame rate of 2 400 per second, the other with 14 400 samples per second and 6 samples per frame also yielding a frame rate of

2 400 per second), and a dataset that controls the content of the sampled value digital output messages.

Applicable sample rates, time synchronization, control blocks and dataset are defined in this standard.

Physical realization of the above concepts may vary with the applied technology determining which parts are necessary for the realization of an actual instrument transformer. One such realization showing an electronic LPIT with built-in digital data output is shown in Figure 903 and further described in the relevant product specific standards in the IEC 61869 series (Part 7, Part 8, Part 12, Part 14, Part 15).

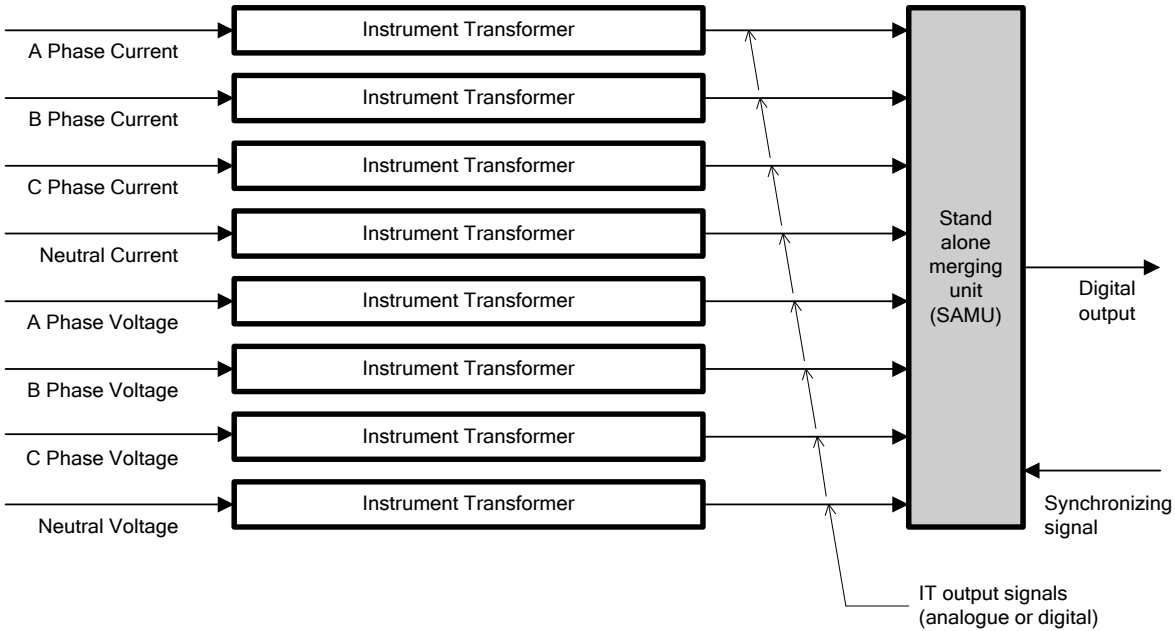


IEC

Figure 903 – Electronic LPIT with digital output (concept example)

It is not absolutely necessary that all parts shown in Figure 903 be included. For clarity, power supplies are not shown here. An instrument transformer may be implemented in a single physical unit or in multiple physical units. For example, there may be a separate physical unit for each phase containing the primary voltage and/or current sensors, primary converters and primary insulation, with all secondary converters and the merging unit in a separate physical unit located in the control house. The number of primary inputs and their type (voltage or current) in a single instrument transformer may be other than shown here.

For comparison, an illustrative general block diagram of an installation using a stand-alone merging unit (SAMU) is shown in Figure 904. Unlike the merging unit in an instrument transformer, a SAMU is a separate product covered in IEC 61869-13. It accepts as inputs the outputs of instrument transformers, said outputs conforming to the specifications of one of the product standards in the IEC 61869 series. The number of inputs and their type (voltage or current) may be other than shown in Figure 904. Output produced by a SAMU and output produced by an electronic LPIT with built in merging unit should in principle be indistinguishable from each other (excluding the fact that SAMU output will typically have lower accuracy due to cascading the separately given instrument transformer and SAMU accuracy specifications).



IEC

An example will be presented in IEC 61869-13¹, as soon as this standard will be available.

Figure 904 – Standalone merging unit

¹ Under consideration.

INSTRUMENT TRANSFORMERS –

Part 9: Digital interface for instrument transformers

1 Scope

This part of IEC 61869 is a product family standard applicable to instrument transformers with digital output. The product standard is composed of IEC 61869-1 and IEC 61869-6, in addition to this standard and the relevant product specific standards in the IEC 61869 series (Part 7, Part 8, Part 12, Part 13, Part 14, and Part 15).

This standard defines requirements for digital communications of instrument transformer measurements. It is based on the IEC 61850 series, UCA international users group document *Implementation guideline for digital interface to instrument transformers using IEC 61850-9-2*, and the relevant parts of IEC 60044-8 that are replaced by this standard. It includes additional improvements including the IEC 61588 network based time synchronization.

2 Normative references

The following documents, in whole or in part, are normatively referenced in this document and are indispensable for its application. For dated references, only the edition cited applies. For undated references, the latest edition of the referenced document (including any amendments) applies.

Clause 2 of IEC 61869-6:2016 is applicable with the following additions:

IEC 61588:2009, *Precision clock synchronization protocol for networked measurement and control systems*

IEC 61850-6:2009, *Communication networks and systems for power utility automation – Part 6: Configuration description language for communication in electrical substations related to IEDs*

IEC 61850-7-1:2011, *Communication networks and systems for power utility automation – Part 7-1: Basic communication structure – Principles and models*

IEC 61850-7-2:2010, *Communication networks and systems for power utility automation – Part 7-2: Basic information and communication structure – Abstract communication service interface (ACSI)*

IEC 61850-7-3:2010, *Communication networks and systems for power utility automation – Part 7-3: Basic communication structure – Common data classes*

IEC 61850-8-1:2011, *Communication networks and systems for power utility automation – Part 8-1: Specific communication service mapping (SCSM) – Mappings to MMS (ISO 9506-1 and ISO 9506-2) and to ISO/IEC 8802-3*

IEC 61850-9-2:2011, *Communication networks and systems for power utility automation – Part 9-2: Specific communication service mapping (SCSM) – Sampled values over ISO/IEC 8802-3*

IEC/IEEE 61850-9-3:2016, *Communication networks and systems for power utility automation – Part 9-3: Precision time protocol profile for power utility automation*